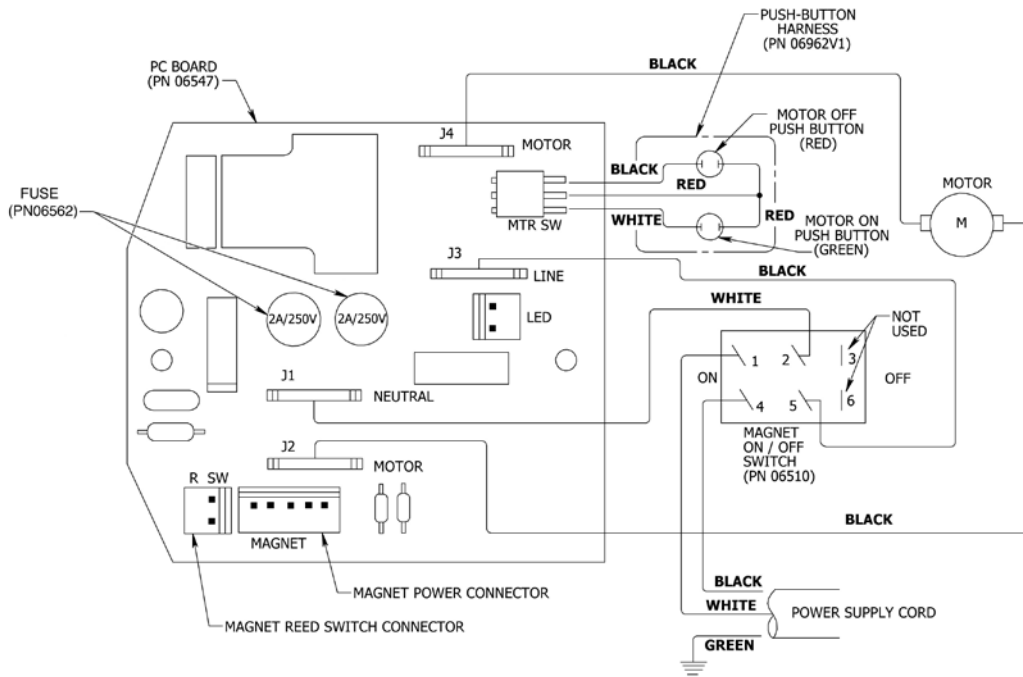
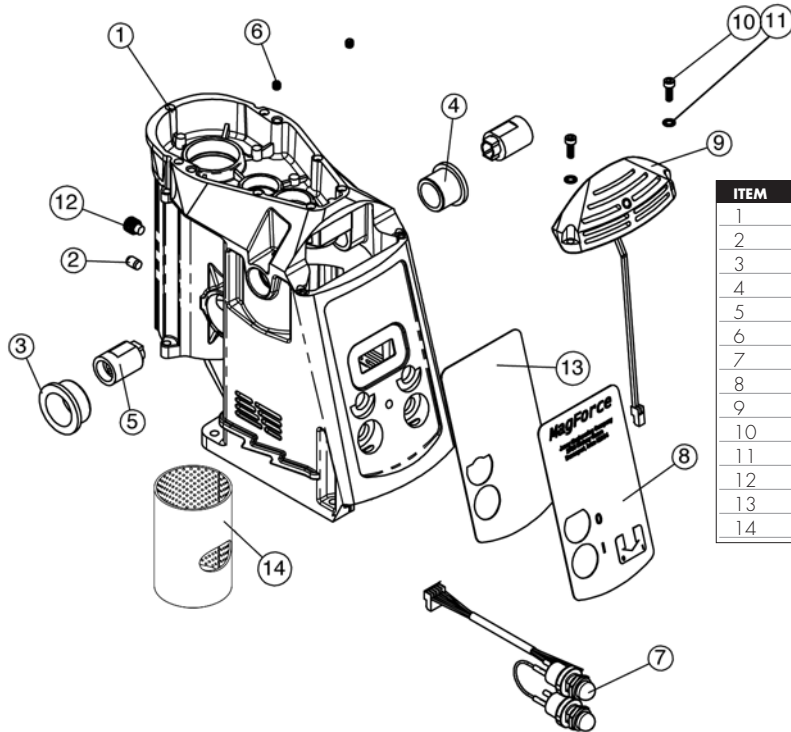


CONNECTION DIAGRAM



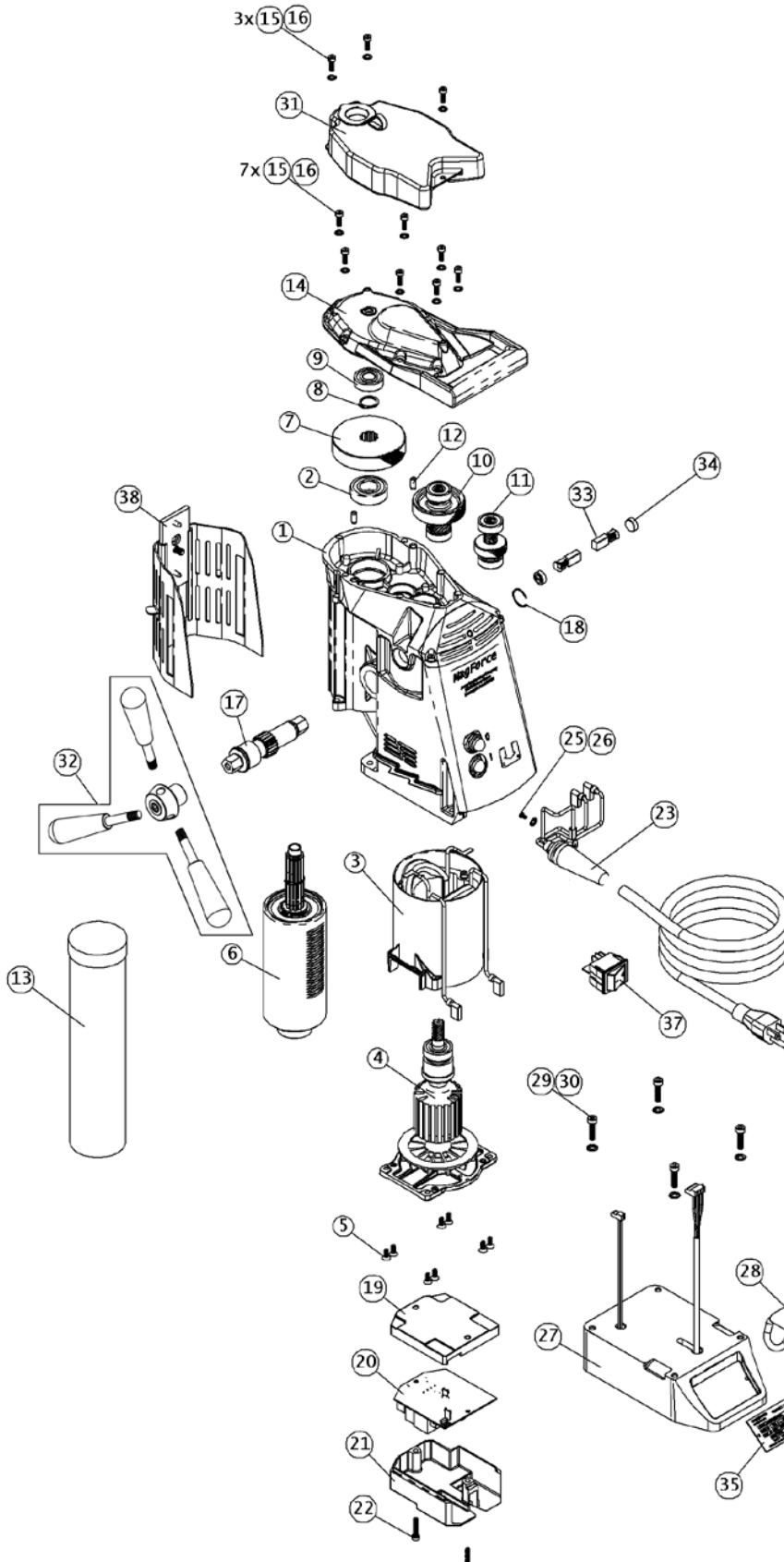
ELECTRICAL CIRCUIT DIAGRAM FOR MAGFORCE PART #06547

MACHINE FRAME BREAKDOWN

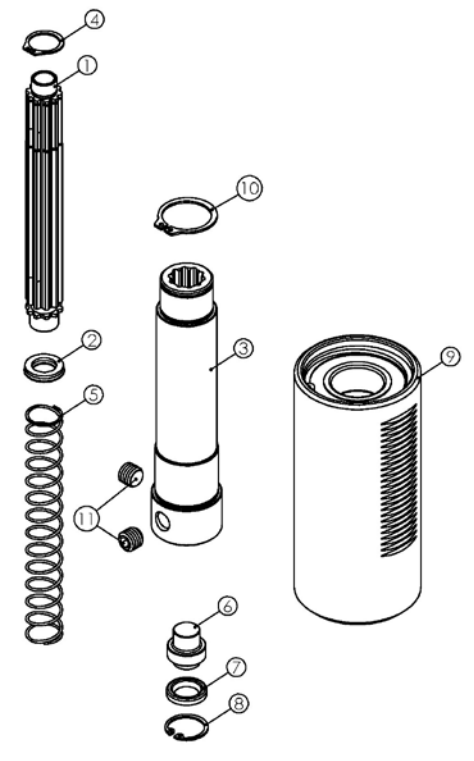


ITEM	DESCRIPTION	PART #	QTY
1	FRAME, MACHINED	06302	1
2	PIN, DOWEL 1/4" X 3/8"	06818	1
3	BUSHING, IGLIDE M250 24MM	06742	1
4	BUSHING, IGLIDE M250 18MM	06740	1
5	BRUSH HOLDER	04551	2
6	M5 X 5 SSS	04579	2
7	VERSION 1 MOTOR SWITCHES	06962V1	1
8	MAGFORCE VERSION 1 LABEL SHEET	06410	1
9	MAGFORCE LOUVER ASSEMBLY	06938V1	1
10	SCR, SHCS M4 - .7 X 12MM DIN912	06770	2
11	WASHER, EXTERNAL M4 DIN6798	06770	2
12	SSS M10 X 10 NYLON TIP	06782	1
13	LABEL PLATE	06106V1	1
14	BUSHING, INNER SLEEVE	06719	1

MACHINE BREAKDOWN



QUILL ASSEMBLY



MACHINE PARTS LIST

MACHINE PARTS LIST

ITEM	DESCRIPTION	PART #	QTY
1	MAGFORCE FRAME ASSEMBLY, PUSH BUTTON	06936V1	1
2	BEARING, BALL 6003 SEALED	06710	1
3	MAGFORCE 120V FIELD ASSEMBLY	06922	1
4	MAGFORCE 120V ARMATURE ASSEMBLY	06914	1
5	SCR, FHSCS M4 - .7 X 10MM	06771	8
6	MAGFORCE QUILL ASSEMBLY	06908	1
7	GEAR, HELICAL 58X24X25 .25 LH	06802	1
8	RETAINING RING, EXTERNAL SH-62	0070015	1
9	BEARING, BALL 6001 SEALED	04543	1
10	MAGFORCE OUTPUT PINION ASSEMBLY	06910	1
11	MAGFORCE OUTPUT PINION ASSEMBLY	06912	1
12	PIN, DOWEL M5X12	06778	2
13	GREASE, LUBRIPLATE GR-132	04587	1
14	MAGFORCE GEARCASE COVER ASSEMBLY	06944	1
15	SCR, SHCS M4 - .7 X 12MM DIN912	06770	10
16	WASHER, EXTERNAL M4 DIN6798	06773	10
17	SHAFT, PINION FEED 20X24	06206	1
18	RETAINING RING, C TYPE EXT. CE-68	06744	1
19	MAGFORCE PCB BASE	06328	1
20*	VERSION 1 CIRCUIT BOARD	06547	1
21	VERSION 1 BOARD COVER	06330	1
22	SCR, SHCS M4 - .7 X 20MM	06772	2
23	MAGFORCE 120V POWER CORD ASSEMBLY	06935	1
24			
25	CRPHMS, M3 - .5 X 5MM	045793	1
26	WASHER, EXTERNAL M3 DIN6798	06768	1
27	MAGFORCE MAGNET ASSEMBLY	06904	1
28	SAFETY STRAP LINK	06796	1
29	SHCS, M5 - .5 X 5MM	06774	4
30	WASHER, EXTERNAL METRIC DIN6798	06781	4
31	MAGFORCE COOLANT BOTTLE ASSEMBLY	06934	1
32	SPOKE HANDLE ASSEMBLY**	06316RS	1
33	CARBON BRUSH	04549	2
34	BRUSH CAP	04552	2
35	SERIAL NUMBER TAG - 120V	06707	1
36	DRIVE SCREW, #2 X 3/16	0070028	2
37	MAGNET SWITCH	06510	1
38	MAGFORCE GUARD ASSEMBLY	06940	1

* USE PART# 06548 FOR 240VOLT

**Part #06319 Hub Only, #06317 Spoke Handle Only.

QUILL ASSEMBLY PARTS LIST

ITEM	DESCRIPTION	PART #	QTY
1	SPLINE DRIVE SHAFT	06210	1
2	SEAL, HYDRAULIC	06706	1
3	QUILL SHAFT	06208	1
4	RETAINING RING, EXTERNAL SH-62	0070015	1
5	ARBOR SPRING	0151431	1
6	QUILL PISTON	06212	1
7	SEAL, LIP	06704	1
8	RETAINING RING, INTERNAL HO-75	0215067	1
9*	MAGFORCE QUILL CARRIER ASSEMBLY	06906	1
10	RETAINING RING, EXTERNAL SH-98	04568	1
11	SSS M10 - 1.5 X 8MM FLAT POINT	0070545	2

*DENOTES SUB-ASSEMBLY

ALPHA INDUSTRIAL TOOL & EQUIPMENT
 51 Tamarack Drive
 Thornhill, Ont
 L3T 4 W2
 Canada
 PH. 905-731-1310
 FAX 905-731-1044

ARMATURE AND FIELD ASSEMBLY

ITEM	DESCRIPTION	PART #	QTY
1	MAGFORCE INSULATOR, FIELD SUPPORT	06504	1
2*	MAGFORCE FIELD ASSEMBLY	06932	1
3	SHCS, M4 - .7 X 60MM	04562	2
4	WASHER, INTERNAL M4	04576	2
5**	MAGFORCE ARMATURE ASSEMBLY	06914	1

*USE PART# 06933 FOR 240 VOLT

**USE PART# 06915 FOR 240 VOLT

