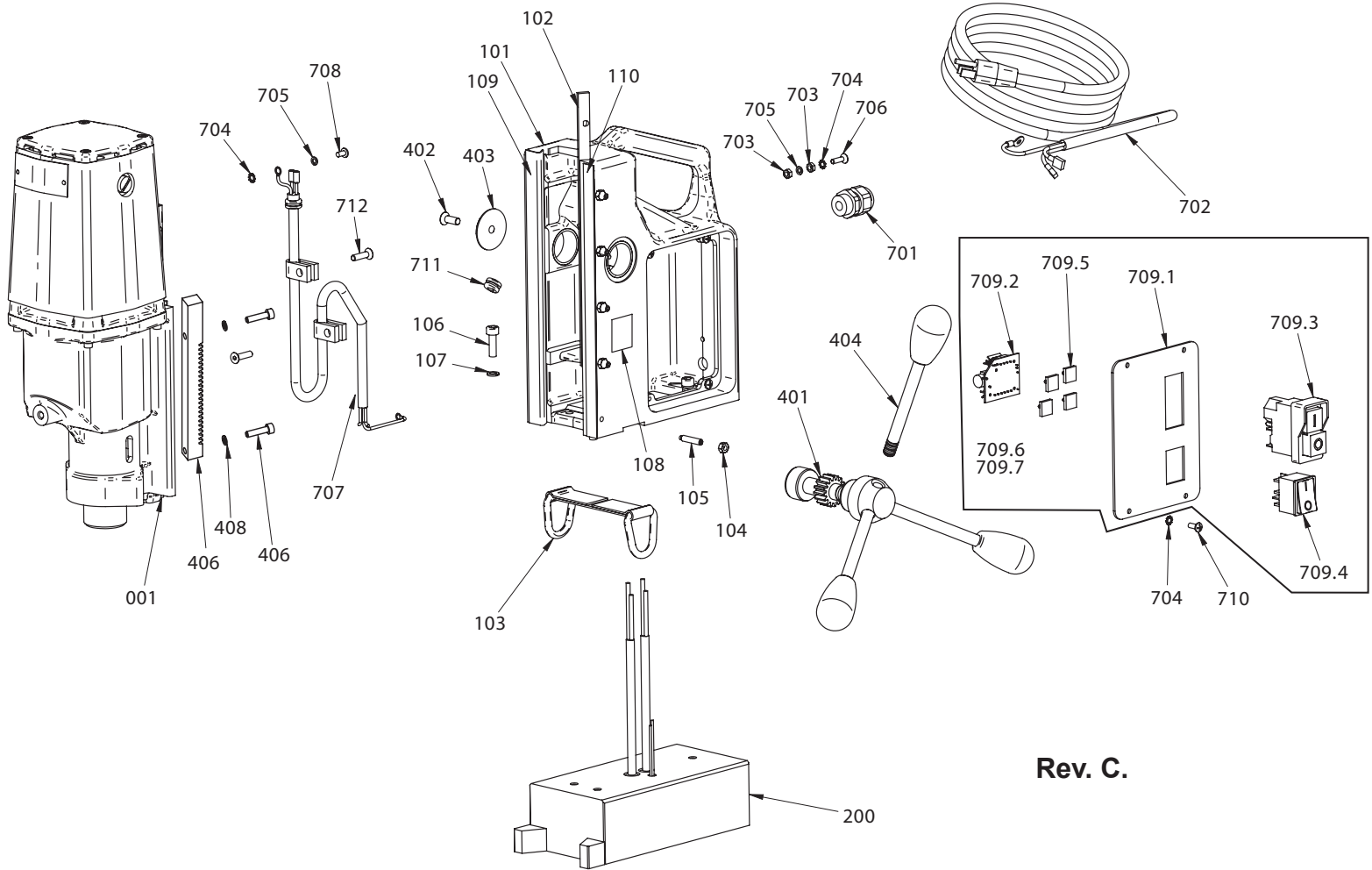


MACHINE PARTS LIST

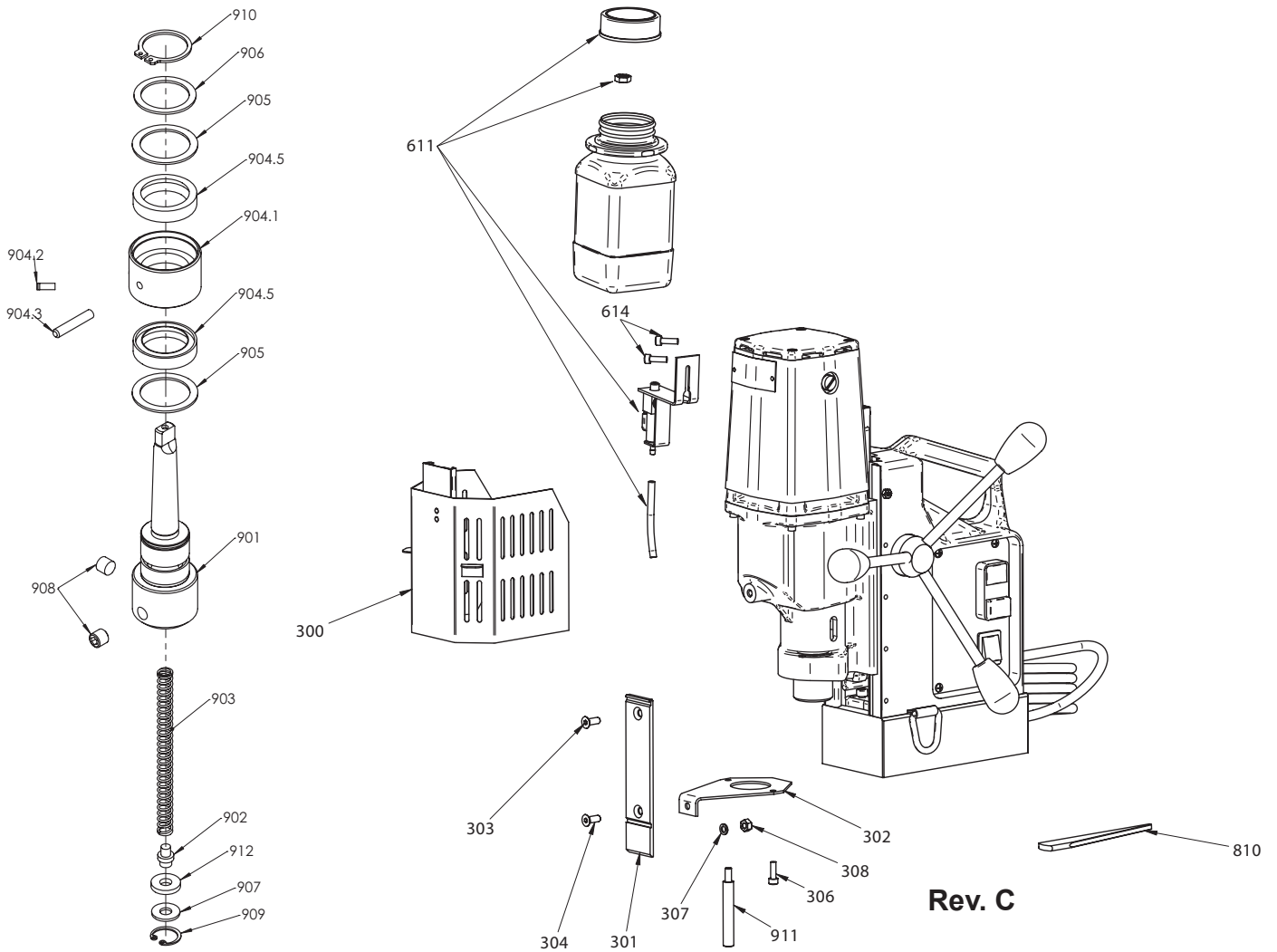


Rev. C.

ITEM	DESCRIPTION	PART #	QTY
001	MOTOR ASSEMBLY 120V	07201	1
	MOTOR ASSEMBLY 240V	07203	1
101	FRAME	07205	1
102	PRESSURE PLATE	07004	1
103	D-RING STRAP	06796	1
104	NUT, M5	0151181	5
105	SSS, M5 X 25	07020	5
106	SHCS, M6 X 20	0014102	3
107	WASHER, SPLIT M6	07016	3
108	LABEL, GIB ADJUSTMENT	07503	1
109	SLIDE INSERT (LEFT)	07251	1
110	SLIDE INSERT (RIGHT)	07252	1
200	MAGNET	07017	1
401	PINION	07019	1
402	FHSCS, M6 X 20	080404	1
403	HUB WASHER	07006	1
404	SPOKE HANDLE	07018	3
406	GEAR RACK 6-3/8" LONG	07024MT2	1
407	SHCS, M5 X 20	06774	2
408	WASHER, SPLIT M5	07023	2
701	STRAIN RELIEF	015064	1

ITEM	DESCRIPTION	PART #	QTY
702	POWER CORD 120V	06564	1
	POWER CORD 220V	CALL	1
703	NUT, M4	0070133	2
704	WASHER, LOCK M4	06773	6
705	WASHER, SPLIT M4	080720	2
706	FHSCS, M4 X 16	07116	1
707	MOTOR CORD ASSEMBLY	07239	1
708	CRPHMS, M4 X 8	04820	1
709	CONTROL PANEL ASSY.	07206	1
709.1	PANEL PLATE WITH LABEL	07207	1
709.2	CIRCUIT BOARD 120V	07294	1
	CIRCUIT BOARD 240V	07295	1
709.3	MOTOR SWITCH	07208	1
709.4	MAGNET SWITCH-4 CONNECTOR	BM507	1
709.5	LOCKING PILLAR	07209	4
709.6	WIRE GROUP 1-NOT SHOWN	07210	1
709.7	WIRE GROUP 2-NOT SHOWN	07211	1
710	CRPHMS, M4 X 10	080710	4
711	GROMMET, RUBBER 3/8" STYLE 2	07117	1
712	FHSCS, M5 X 20	07212	2

MACHINE PARTS LIST

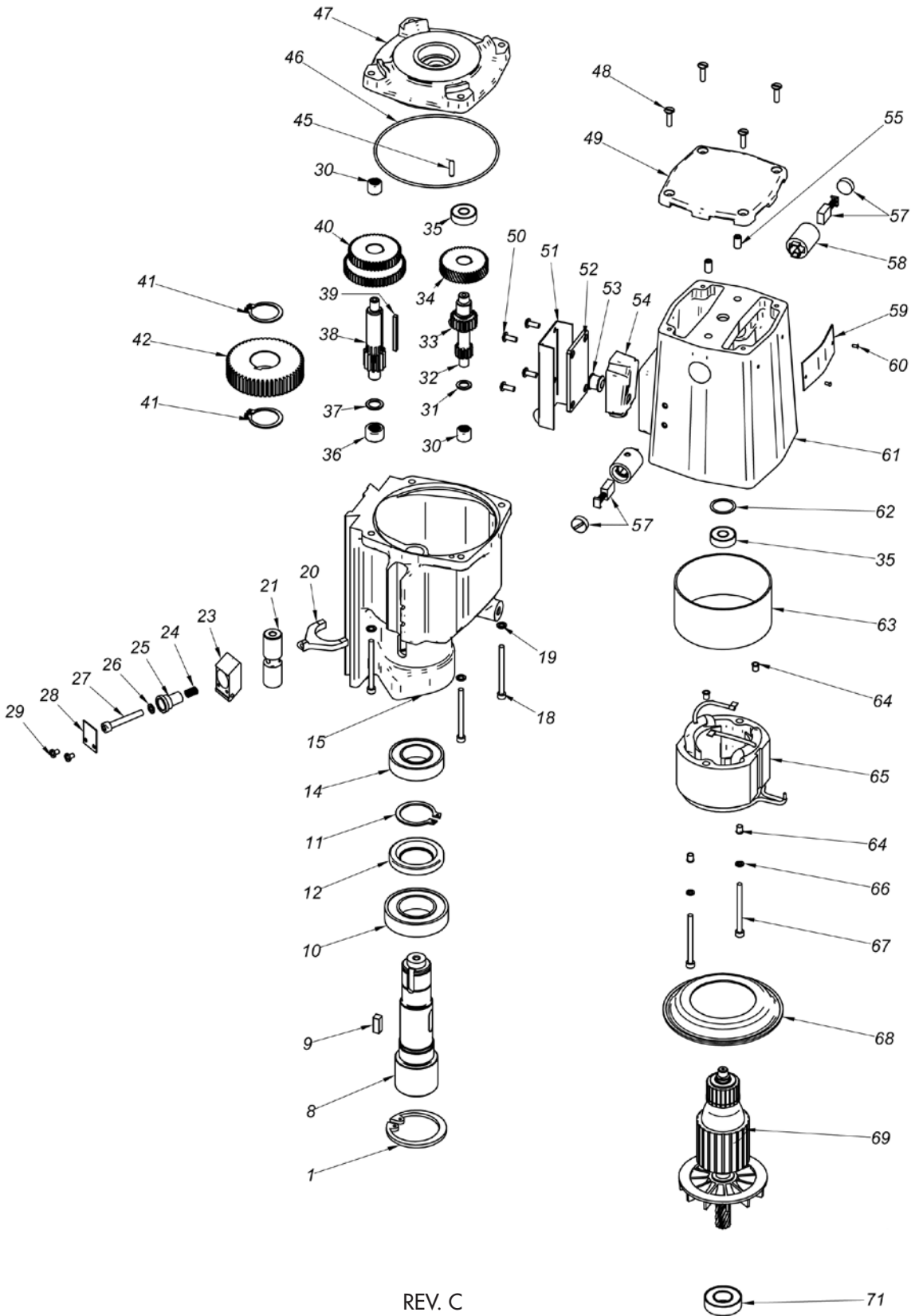


Rev. C

ITEM	DESCRIPTION	PART #	QTY
300	CHIP GUARD ASSEMBLY	07026	1
301	GUIDE PLATE	07213	1
302	FLANGE PLATE	07214	1
303	SCR, FHSCS M6 X 12	054140	1
304	SFHMS, M6 X 20	05MT404	1
306	SHCS, M6 X 12	0070535	1
307	WASHER, SPLIT M6	07016	1
308	NUT, M6	070308	1
611	BOTTLE ASSEMBLY	0151511	1
614	SHCS, M4 X 12	06770	2
810	KNOCK-OUT WEDGE	07517	1
900	ARBOR ASSEMBLY	07504	1
901	ARBOR BODY	07505	1

ITEM	DESCRIPTION	PART #	QTY
902	PLUNGER	07530	1
903	SPRING	07507	1
904.1	COOLANT INDUCER	07508	1
904.2	HOSE CONNECTION	07529	1
904.3	INDUCER PIN	07510	1
904.5	SEAL	07511	2
905	WASHER	07512	2
906	SPACER	07513	1
907	WASHER	07533	1
908	SSS, M10 X 10	07336	2
909	RETAINING RING, INTERNAL 19W	0215067	1
910	RETAINING RING, EXTERNAL 32Z	07215	1
911	STOP ROD, M6	07216	1
912	RUBBER WASHER	07531	1

MOTOR PARTS



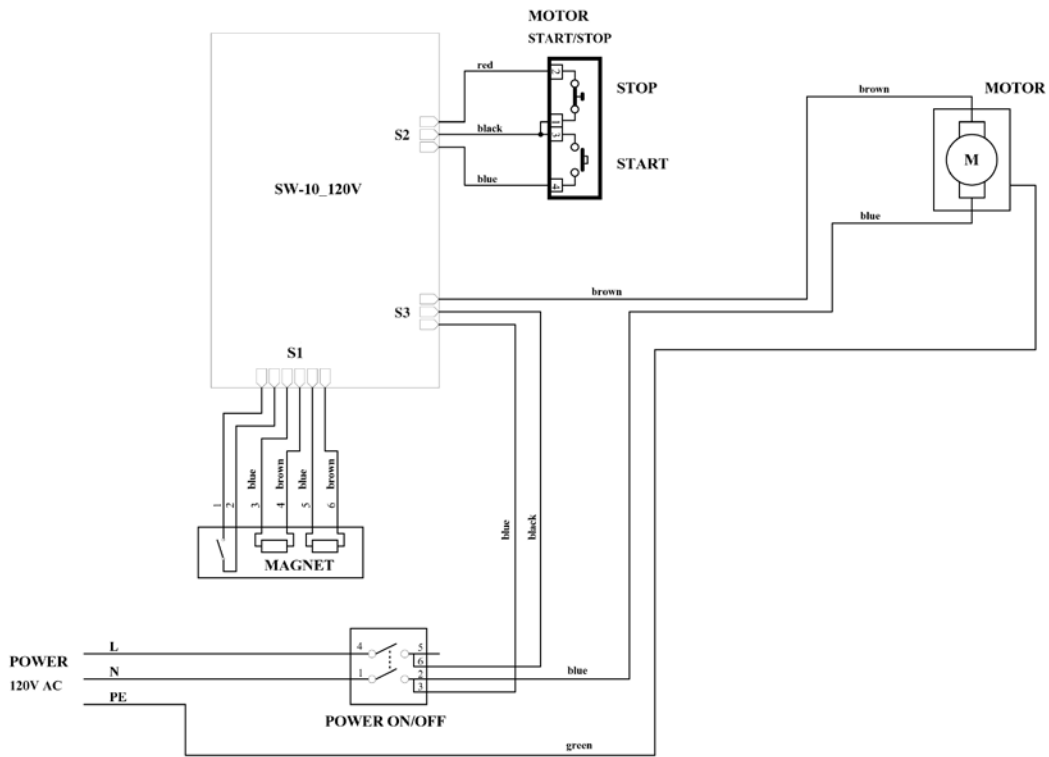
REV. C

MOTOR PARTS LIST

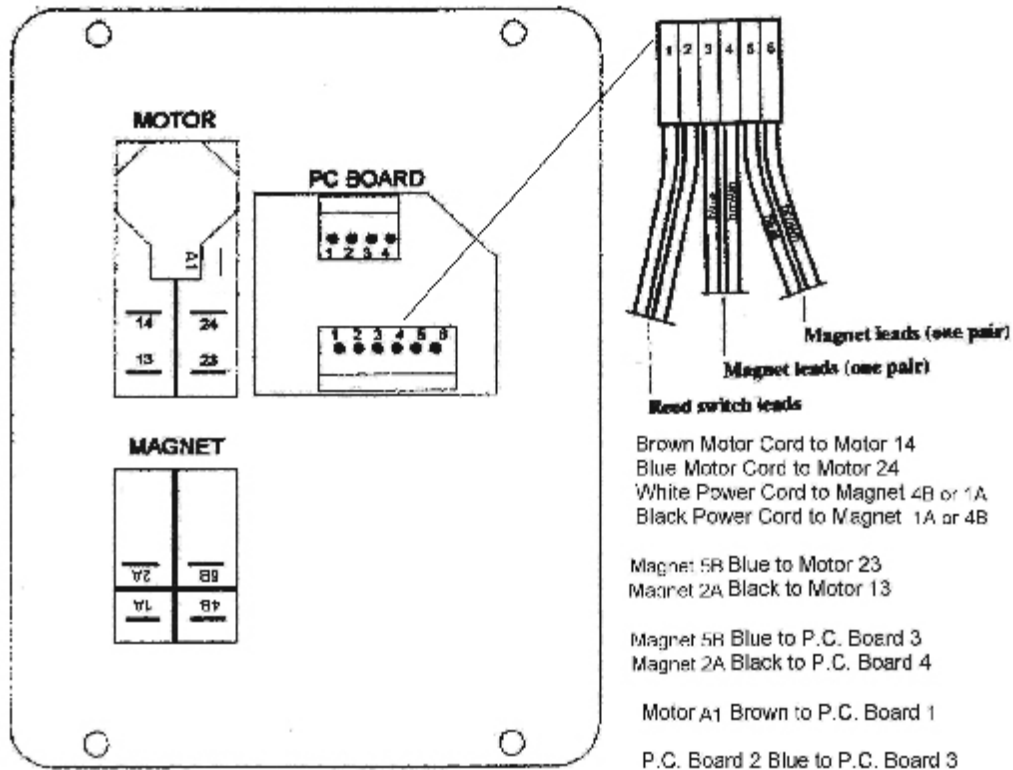
ITEM	DESCRIPTION	PART #	QTY
1	RETAINING RING, INTERNAL 55W	07128	1
8	SPINDLE	07129MT2	1
9	KEY, SQUARE 6 X 6 X 15	07127	1
10	BEARING, 6006	07126	1
11	RETAINING RING, EXTERNAL 30Z	07125	1
12	SEAL, SPINDLE 28 X 47 X 7	07518	1
14	BEARING, 6005	07122	1
15	GEAR CASE	07259	1
18	SHCS, M5 X 30	03097	4
19	WASHER, SPLIT M5	07023	4
20	SHIFT FORK	07146	1
21	SHIFT PIN	07145	1
23	SHIFT LEVER	045014	1
24	SPRING	04591	1
25	SHIFT COLLAR	04524	1
26	WASHER, INTERNAL M5	04563	1
27	SHCS, M5 X 35	04572	1
28	TAG, SHIFT	04514	1
29	CRPHMS, M3 X 5	045793	2
30	BEARING, NEEDLE RHINA 081210	07151	2
31	WASHER, THRUST 8, 1	07158	1
32	GEARSHAFT, 12T/20T	07157	1
33	KEY, WOODRUFF 3 X 3.7	07156	1
34	GEAR, HELICAL 46T	07155	1
35	BEARING, 608	04544	1
36	BEARING, NEEDLE RHINA 101610	07147	1
37	WASHER, THRUST 10, 1	07148	1
38	GEARSHAFT, 12T	07149	1
39	KEY, SQUARE 3 X 3 X 36	07161	1
40	GEAR, DUAL 52T/44T	07150	1
41	RETAINING RING, EXTERNAL 25Z	07152	2
42	GEAR, 52T	07162	1
45	PIN, DOWEL 4 X 16	07160	1
46	O-RING	07153	1
47	COVER, GEAR CASE	07154	1
48	SFHMS, M4X16	07116	4
49	COVER, FIELD CASE	07115	1
50	CRPHMS, M4 X 8	04820	4
51	COVER, CORD	07120	1
52	PLATE, CORD	07119	1
53	SNAP BUSHING, LA6	07441	1
54	LINER, COVER	07118	1
55	SSS, M6 X 12	0070526	2
57	BRUSH SET	04550	2
58	BRUSH HOLDER	04551	2
59	TAG, MOTOR 120V	07027	1
	TAG, MOTOR 240V	07028	1
60	DRIVE SCREW, #2 X 3/16	0070028	2
61	FIELD CASE	07113	1
62	WASHER, SPRING	04560	1
63	INSULATOR, FIELD	05010	1
64	INSULATOR, FIELD SCREW	04557	4
65	FIELD 120V	06580	1
	FIELD 240V	06584	1
66	WASHER, INTERNAL M4	04576	2
67	SHCS, M4 X 50	07106	2
68	SHROUD	07105	1
69	ARMATURE 120V	04644	1
	ARMATURE 240V	04645	1
71	BEARING, 6002	07101	1

REV. C

WIRING DIAGRAMS



WIRING DIAGRAM PART #07294



Rev. C